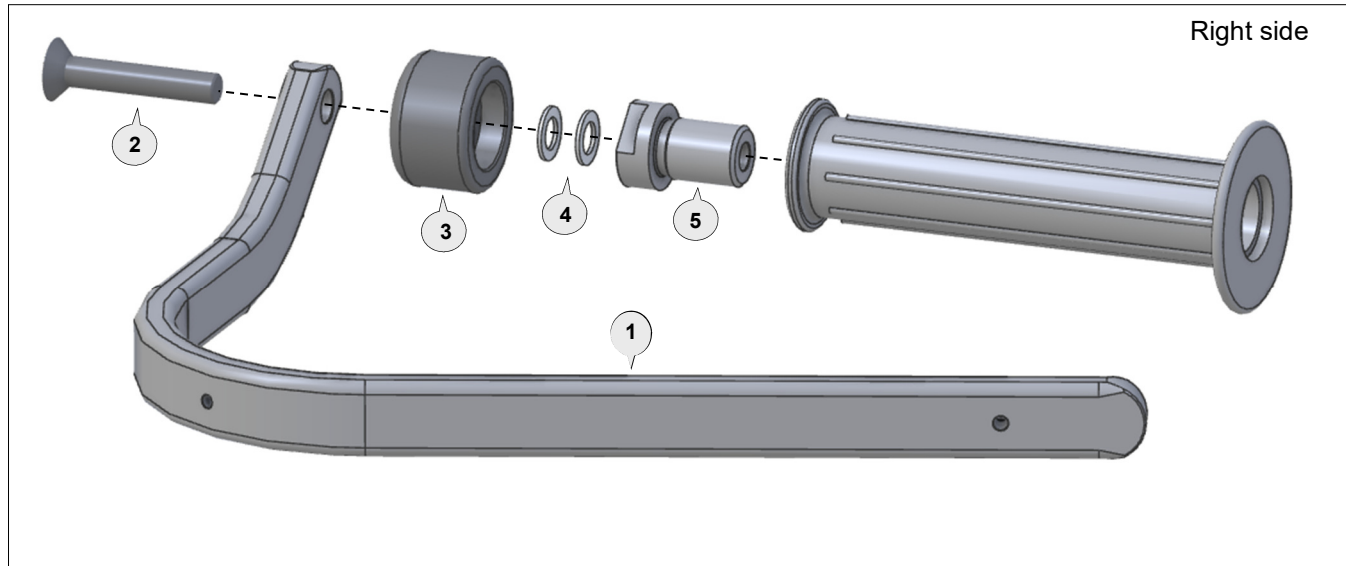
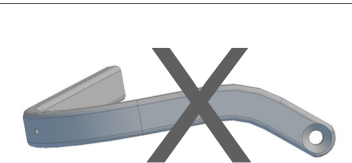
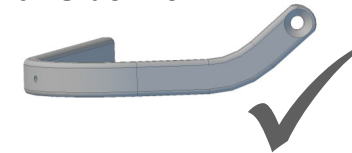


**Preparation**

Remove the original handguards (if fitted) and original bar end weights.



**Bar Side View**



**Fitting Procedure** (repeat for the left side with the required parts)

Screw Threaded Insert (5) into end of the handlebar and tighten.

Insert the bolt (2) through the end of the backbone (1), the bar end weight (3), washers (4) and screw into the handlebar threaded insert.

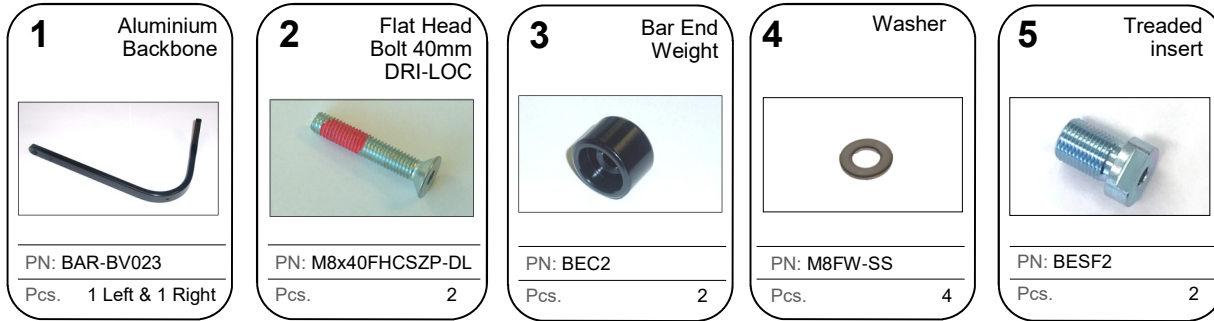
Tighten bolt (2) to 20N.m

**Note:** Preferred backbone position is horizontal when viewed from side. The bolt already has thread lock applied to its end.

**Personalise Your Protection**

Guard options sold separately

<b>JET</b>	<b>JET-003</b>
<b>VPS</b>	<b>VPS-003</b>
<b>Storm</b>	<b>STM-003</b>
<b>CARBON</b>	<b>BCF-003</b>



**CAUTION:**

Installation of the handguard is safety-relevant work and can be complicated. We recommend the installation be performed by a motorcycle service technician. Rideworx accepts no liability for damages caused by improper mounting. All screws, bolts and nuts, including all replacement hardware provided by Rideworx, should be tightened to the torque specified in the below table. After the first 50km of riding check all screws, bolts and nuts are tightened to the correct torque. We recommend a medium strength liquid thread lock product on all fasteners.

**WARNING:**

It is important there is a working clearance (approx 3mm) between the throttle grip end and the handguard to ensure a free closing throttle. Check operation of all handlebar controls, specifically the throttle, front brake, kill switch and clutch to ensure they are operating correctly and are in accordance with the OEM specifications. Do not ride the motorcycle if any controls are not operating correctly. Check periodically that all bolts are tight.

Recommended Torque Settings	
M8	28 Nm (20.7 lbf ft)
M16 (item 5)	21 Nm (15.5 lbf ft)



Phone: +61 (0)2 4271 8244  
Email: [info@barkbusters.net](mailto:info@barkbusters.net)  
Web: [www.barkbusters.net](http://www.barkbusters.net)



**Disclaimer:**

A failure to follow these fitting instructions could cause serious injury, death or property damage. These handguards are intended solely for use with motorcycles/ATV/snowmobiles/scooters that have not been modified. They are not designed to prevent injury or death while riding or in an accident or crash. The user must ensure that all controls are free of the handguards every time that they ride. By installing and/or using this product you acknowledge that you accept these terms and have followed the fitting instructions.