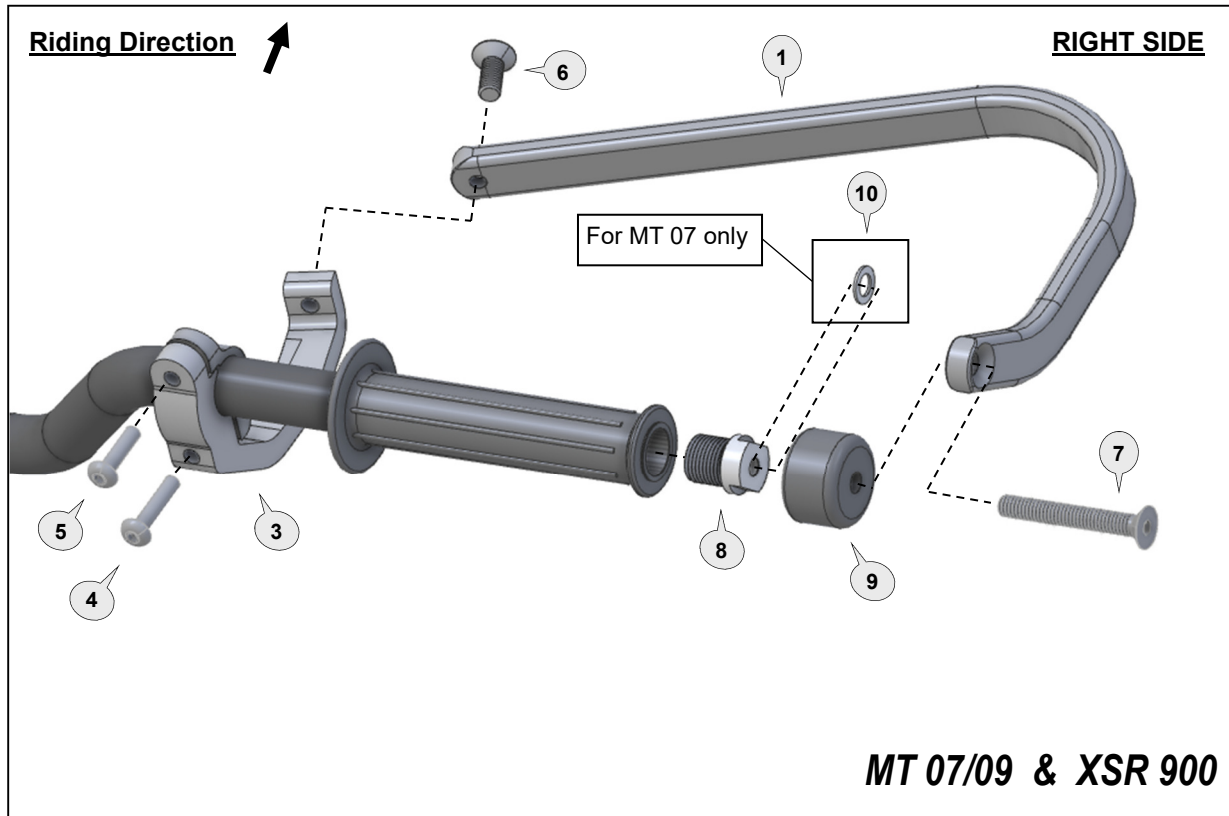




www.barkbusters.net

**FITTING INSTRUCTIONS for...**

- YAMAHA MT 07 ('21 on)
- YAMAHA MT 09 ('13 - '20)
- YAMAHA MT 09 SP ('18 - '20)
- YAMAHA MT 09 TRACER ('14 - '20)
- YAMAHA XSR 900 ('16 - '21)



**Preparation**

**MT 07/09 / XSR 900**

Remove original handlebar end weights.

**MT 09 TRACER**

Remove original handguard and brackets. Retain M8 Washer from under bar end bolt.

**Fitting Procedure shown for the RIGHT side**

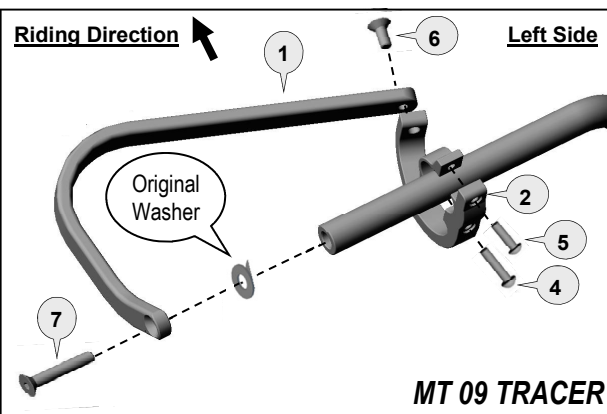
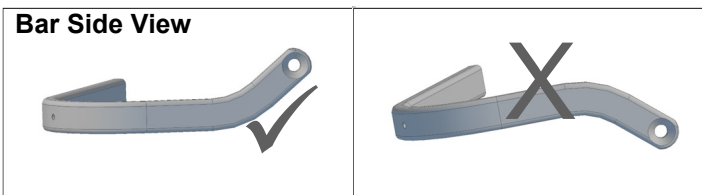
(repeat for right side with applicable parts)

1. Fit threaded insert (8) and tighten to specified torque setting. (not required for MT 09 TRACER)
2. Loosely assemble clamp to handlebar as per diagram.
3. Attach backbone with applicable parts as per diagram.

**Note:** The preferred backbone position is horizontal when viewed from the side.

Tighten all bolts in the following order (7), (6), then (4 and 5). Use recommended torque specifications over page.

**Bar Side View**



**MT 09 TRACER**

**NOTE:**

Use original M8 Washer which is located under the head of the original bar end bolt on each side of the handlebar.

**Personalise Your Protection**

Guard options sold separately

<b>JET</b>	JET-003
<b>VPS</b>	VPS-003
<b>Storm</b>	STM-003
<b>CARBON</b>	BCF-003



Email: info@barkbusters.net


@BARKBUSTERSHANDGUARDS

**1** Aluminium Bar




PN: BAR-BV-036  
Pcs. 2 (L & R)

**2** Clamp Frame & Saddle (left)




PN: CFS-ADV-L-BK  
Pcs. 1

**3** Clamp Frame & Saddle (right)



PN: CFS-ADV-R-BK  
Pcs. 1

**4** Button Head Bolt 30mm



PN: M6x30BHCSZP  
Pcs. 2

**5** Button Head Bolt 20mm



PN: M6x20BHCSZP  
Pcs. 2

**6** Flat Head Bolt 20mm



PN: M8x20FHCSZP  
Pcs. 2

**7** Flat Head Bolt 40mm



PN: M8x40FHCSZP  
Pcs. 2

**8** Bar End Special Fitting




PN: BESF3  
Pcs. 2

**9** Bar End Weight



PN: BEW35  
Pcs. 2

**10** M8 Flat Washer



PN: M8FW-SS  
Pcs. 1

**NOTE:** Items 8 & 9 not required for fitting to MT 09 TRACER.  
Use original M8 washers instead (see diagram over page).

Recommended Torque Settings	
M6	10 Nm (7.4 lbf ft)
M8	20 Nm (14.8 lbf ft)
M16 (item 8)	21Nm (15.5 lbf ft)

**CAUTION:**

Installation of the handguard is safety-relevant work and can be complicated. We recommend the installation be performed by a motorcycle service technician. Rideworx accepts no liability for damages caused by improper mounting. All screws, bolts and nuts, including all replacement hardware provided by Rideworx, should be tightened to the torque specified in the table. After the first 50km of riding check all screws, bolts and nuts are tightened to the correct torque. We recommend a medium strength liquid thread lock product on all fasteners.

**WARNING:**

Check operation of all handlebar controls, specifically the throttle, front brake, kill switch and clutch to ensure they are operating correctly and are in accordance with the OEM specifications. Do not ride the motorcycle if any controls are not operating correctly or if rear view mirror vision is obscured. Check periodically that all bolts are tight.



Phone: +61 (0)2 4271 8244  
Email: [info@barkbusters.net](mailto:info@barkbusters.net)  
Web: [www.barkbusters.net](http://www.barkbusters.net)



**Disclaimer:**

A failure to follow these fitting instructions could cause serious injury, death or property damage. These handguards are intended solely for use with motorcycles/ATV/snowmobiles/scooters that have not been modified. They are not designed to prevent injury or death while riding or in an accident or crash. The user must ensure that all controls are free of the handguards every time that they ride. By installing and/or using this product you acknowledge that you accept these terms and have followed the fitting instructions.