

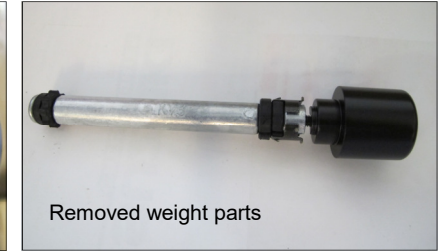
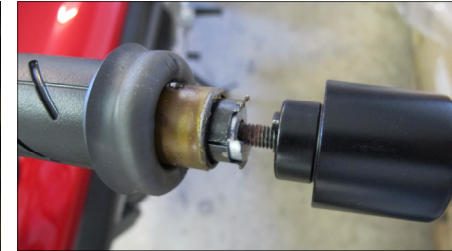
**FITTING INSTRUCTIONS**  
for...

- HONDA CB125E
- HONDA CB500F ('13-'18)
- HONDA CB500X ('16-'18)
- HONDA CB650F
- HONDA CB650R ('19 on)

**Preparation: HONDA Handlebar Weight Removal**

**Remove original handlebar end weight with internal weight parts.**

Left side, roll back hand grip and depress the two retaining clips through the holes in the handlebar with a screwdriver. There is one top and one bottom. To access holes on right side, unscrew throttle housing and separate the two halves enough to slide the twist grip in from the end. Leave handlebar weight connected to the internal weight to help with removing the internal parts. Pull on weight while pressing clips through hole. See pictures to right.



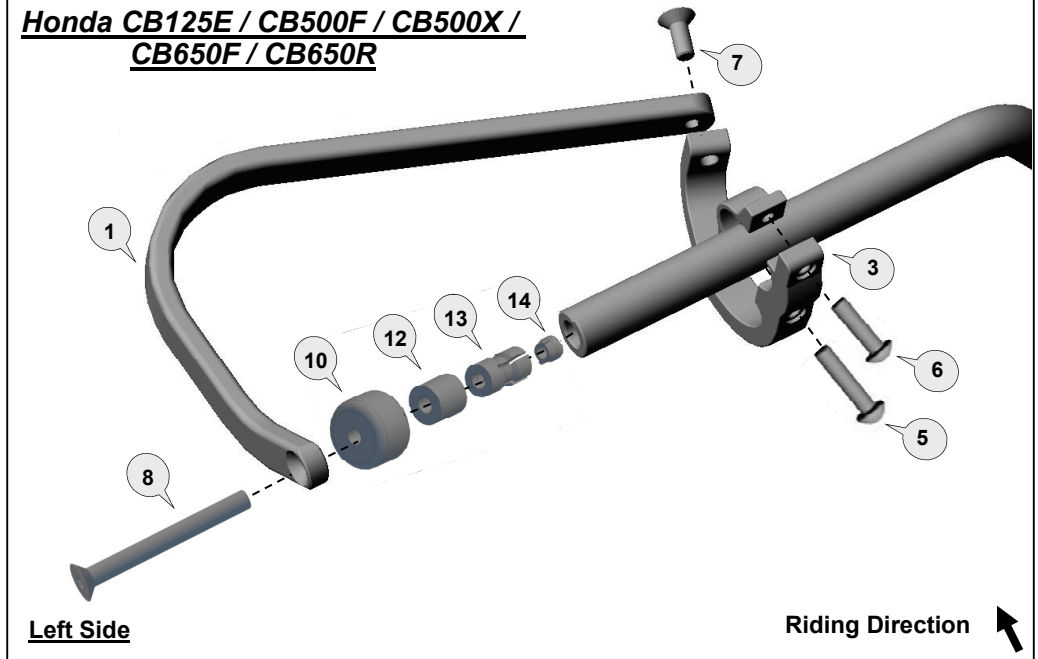
**Fitting Procedure:**

**Fitting Procedure shown for the LEFT side**

(repeat for right side with applicable parts)

- Loosely assemble clamp (3) to the handlebar with applicable parts.
- Loosely attach the handguard backbone with applicable parts to the handlebar end and also to the clamp.
- **Note:** The preferred backbone position is horizontal when viewed from the side.
- Tighten all bolts in the following order (8), then (7), then (5 and 6).
- Use recommended torque specifications over page.

**Honda CB125E / CB500F / CB500X /  
CB650F / CB650R**





## FITTING INSTRUCTIONS for...

- KTM 200 Duke ('13 on)
- SUZUKI SFV650 Gladius ('09)

### Preparation: KTM 200 Duke

If the handlebar grips are not open at the end they will need to be cut open for the handguard to be fitted. Use a sharp knife to cut a hole in the end of each handgrip. On the right side the hole size should be neat and no smaller than the inside diameter of the throttle tube. Loosen the throttle assembly to move it outward approximately 20mm. Roll back the end of the grip and use a hacksaw to carefully cut off the end cap of the plastic throttle tube. Do not remove more than 3mm and take care not to cut the underlying handlebar. Before refitting, remove any burrs that could restrict throttle movement. A Dremel style grinder can also be used to grind out the hole and remove any burrs.

### Preparation: SUZUKI SFV650 Gladius - Handlebar Weight Removal

Undo screw-in weight about three turns, tap screw head in to free up. Pull weight out while using an up and down movement to remove the complete assembly.

### Fitting Procedure:

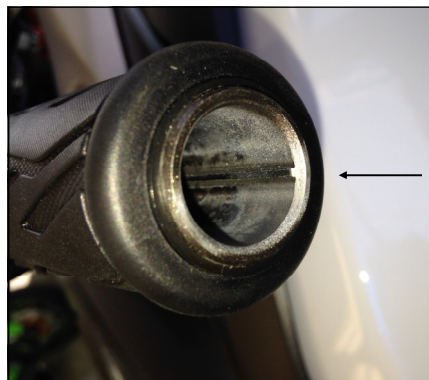
#### Fitting Procedure shown for the LEFT side

(repeat for right side with applicable parts)

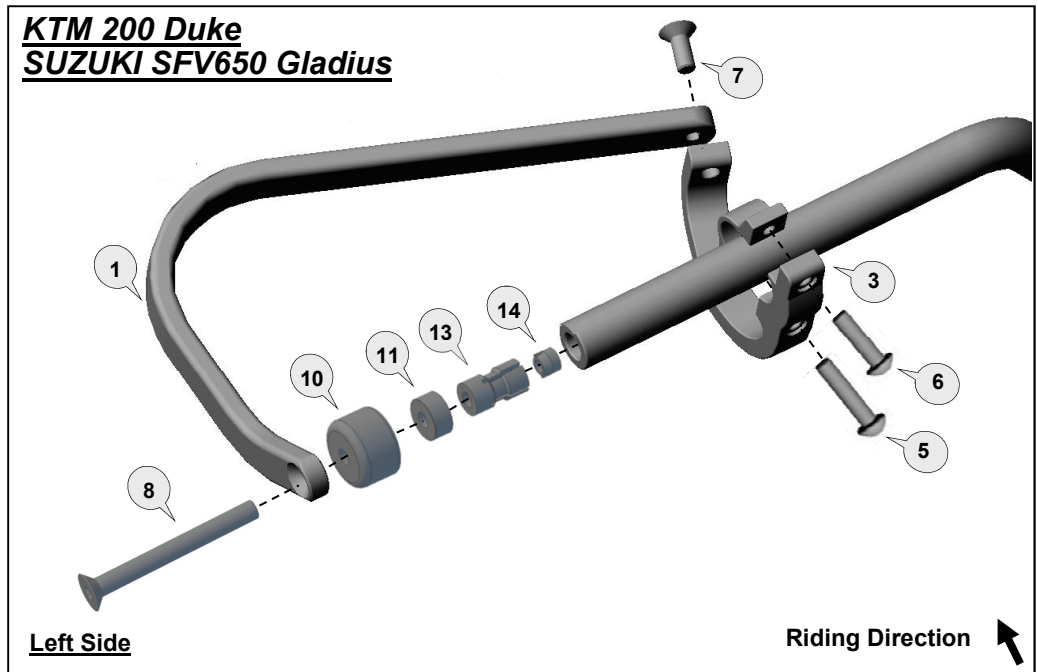
- Loosely assemble clamp (3) to the handlebar with applicable parts.
- Loosely attach the handguard backbone with applicable parts to the handlebar end and also to the clamp.
- **Note:** The preferred backbone position is horizontal when viewed from the side.
- Tighten all bolts in the following order (8), then (7), then (5 and 6).
- Use recommended torque specifications over page.

#### Fitting Tip: SUZUKI SFV650 Gladius

Check handlebar internal surface for raised ridge. (See picture) If present, align slot of expander (13) with raised ridge. Alternatively remove ridge with file or Dremel style grinder.



#### KTM 200 Duke SUZUKI SFV650 Gladius





## FITTING INSTRUCTIONS for...

- APRILIA SHIVER ('13)
- BMW F700GS ('16 on)
- BMW F800GS ('16 on)
- BMW F800GSA ('16 on)
- KTM 390 DUKE ('13-'16)

**Preparation: APRILIA SHIVER, BMW's F700GS, F800GS, F800GSA & KTM 390 Duke**

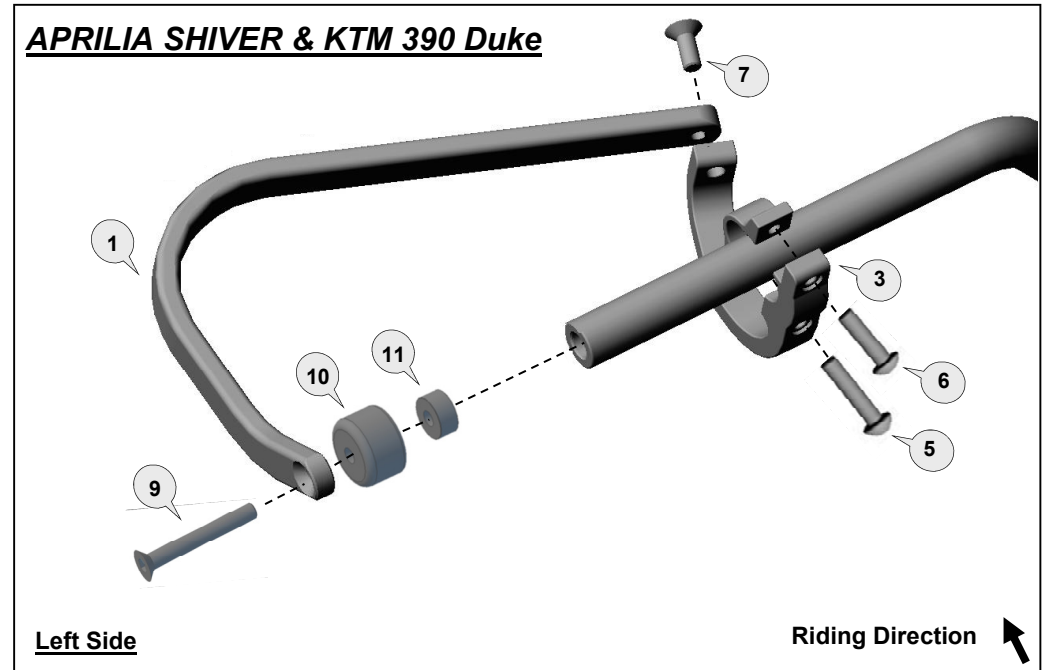
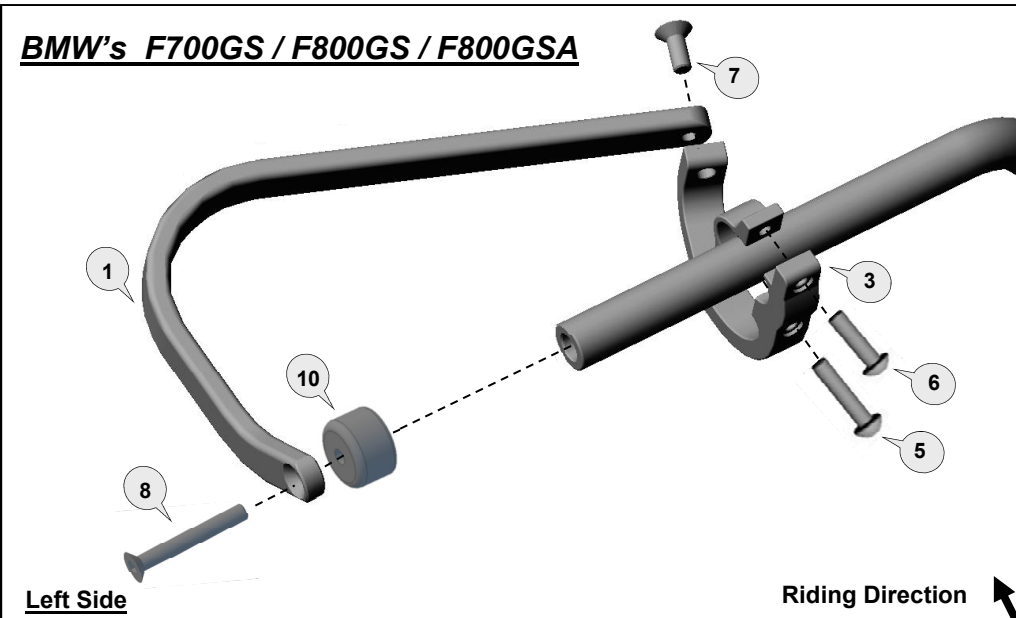
Remove original handlebar end weights and original handguard if installed.

### Fitting Procedure:

#### Fitting Procedure shown for the LEFT side

(repeat for right side with applicable parts)

- Loosely assemble clamp (3) to the handlebar with applicable parts.
- Loosely attach the handguard backbone with applicable parts to the handlebar end and also to the clamp.
- **Note:** The preferred backbone position is horizontal when viewed from the side.
- Tighten all bolts in the following order (9) or (8), then (7), then (5 and 6).
- Use recommended torque specifications over page.



**1** Aluminium Bar




PN: BAR-BV036-L  
Pcs. 1 (Left)

**2** Aluminium Bar




PN: BAR-BV036-R  
Pcs. 1 (Right)

**3** Clamp Frame & Saddle (left)




PN: CFS-ADV-L-BK  
Pcs. 1 set

**4** Clamp Frame & Saddle (right)



PN: CFS-ADV-R-BK  
Pcs. 1 set

**5** Button Head Bolt 30mm




PN: M6x30BHCSZP  
Pcs. 2

**6** Button Head Bolt 20mm



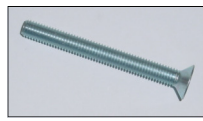
PN: M6x20BHCSZP  
Pcs. 2

**7** Flat Head Bolt 20mm



PN: M8x20FHCSZP  
Pcs. 2

**8** Flat Head Bolt 75mm



PN: M8x75FHCSZP-FT  
Pcs. 2

**9** Flat Head Bolt 45mm



PN: M6x45FHCSZP  
Pcs. 2

**10** Bar End Weight



PN: BEW35  
Pcs. 2

**11** Spacer 10mm



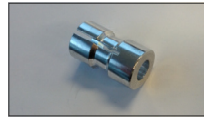
PN: BSSRT10  
Pcs. 2

**12** Spacer 17mm



PN: SP17-20-8  
Pcs. 2

**13** Expander



PN: BBE17  
Pcs. 2

**14** Taper Nut



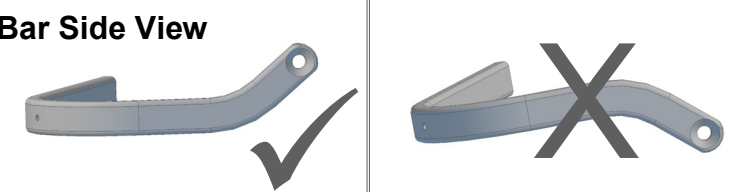
PN: NUT12  
Pcs. 2

**Personalise Your Protection**  
Guard options sold separately

**JET** JET-003  
**VPS** VPS-003  
**Storm** STM-003  
**CARBON** BCF-003

**See below for correct bar orientation**

**Bar Side View**



Recommended Torque Settings	
M6	10 Nm (7.4 lbf ft)
M8	20 Nm (14.8 lbf ft)



Phone: +61 (0)2 4271 8244  
Email: info@barkbusters.net  
Web: www.barkbusters.net



**CAUTION:**

Installation of the handguard is safety-relevant work and can be complicated. We recommend the installation be performed by a motorcycle service technician. Rideworx accepts no liability for damages caused by improper mounting. All screws, bolts and nuts, including all replacement hardware provided by Rideworx, should be tightened to the torque specified in the table. After the first 50km of riding check all screws, bolts and nuts are tightened to the correct torque. We recommend a medium strength liquid thread lock product on all fasteners.

**WARNING:**

Check operation of all handlebar controls, specifically the throttle, front brake, kill switch and clutch to ensure they are operating correctly and are in accordance with the OEM specifications. Do not ride the motorcycle if any controls are not operating correctly or if rear view mirror vision is obscured. Check periodically that all bolts are tight.

**Disclaimer:**

A failure to follow these fitting instructions could cause serious injury, death or property damage. These handguards are intended solely for use with motorcycles/ATV/snowmobiles/scooters that have not been modified. They are not designed to prevent injury or death while riding or in an accident or crash. The user must ensure that all controls are free of the handguards every time that they ride. By installing and/or using this product you acknowledge that you accept these terms and have followed the fitting instructions.