



www.barkbusters.net

ADAPTOR KIT -

to be used with:

- **STM-007**
- **BBZ-001**
- **AGP-001**

IMPORTANT:

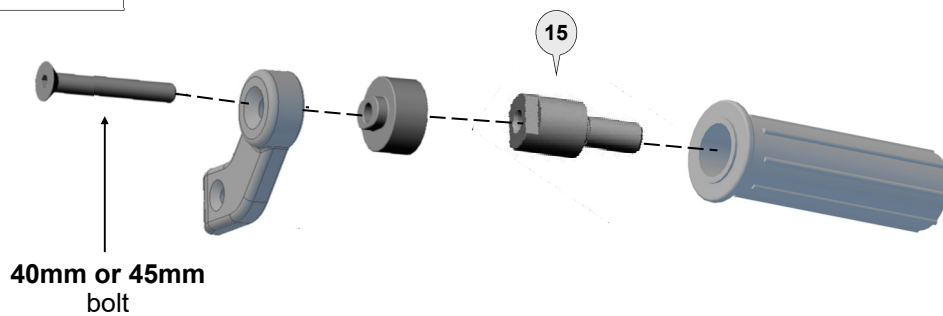
This adaptor kit is to be used in conjunction with the instructions and handguard kit **STM-007**, **BBZ-001** & **AGP-001**.



INSTRUCTIONS:

- Ensure bolt M8x40mm or M8x45mm Flat Head is used.
- A medium thread locking compound applied to the Threaded Adaptor (15) is recommended.
- Remove Original bar end weight.
- Insert the Threaded Adaptor (15).
- Tighten threaded adaptor (15) into the handlebar to 20 Nm (14.8 lbf ft).

LEFT SIDE



Phone: +61 (0)2 4271 8244
Email: info@barkbusters.net
Web: www.barkbusters.net